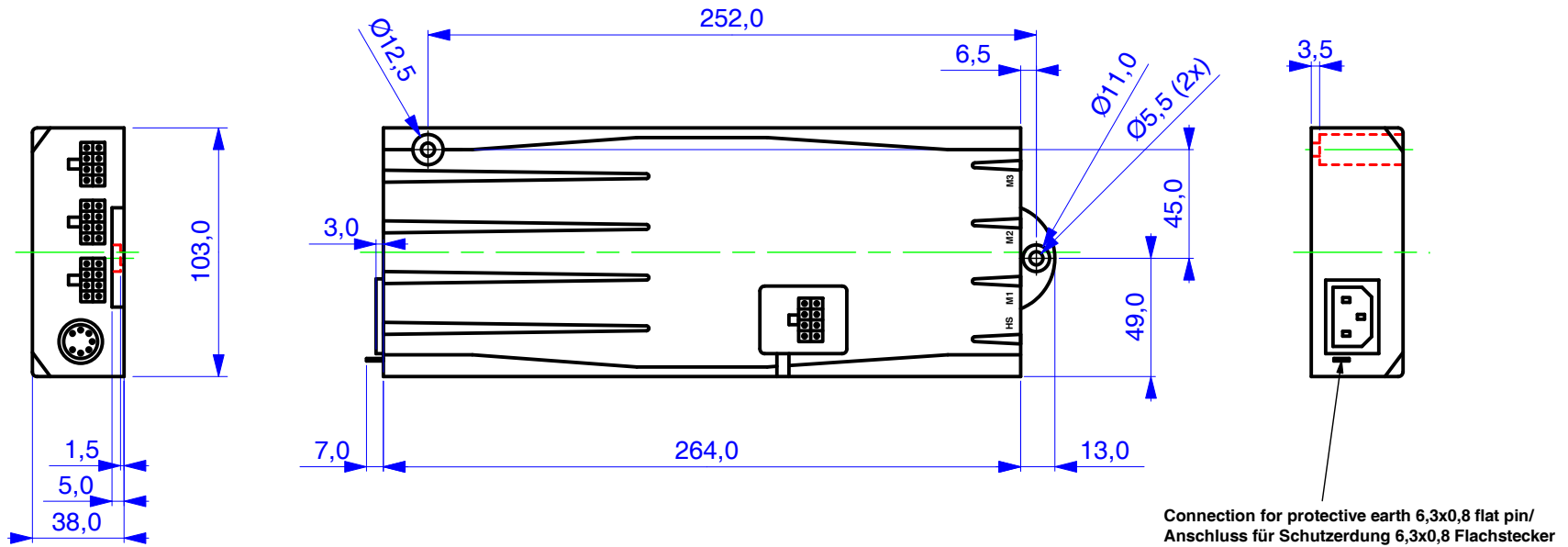


Denna ritning är ERGONOMIX AB:s egendom och skyddad enligt gällande lag samt (E) utan vE:s skriftliga medgivande kopieras, delvis eller obehörigen används.  
 These documents must not be copied without ERGONOMIX AB's written permission and contents thereof must not be imparted to a third party nor be used for any unauthorized purpose. Contravention will be prosecuted.



Connection for protective earth 6,3x0,8 flat pin/  
Anschluss für Schutzerdung 6,3x0,8 Flachstecker

**Description: Compact-e-3-ERG-EU**  
 Input: 230 VAC/ 50-60 Hz/ 5A  
 Output: 360VA/24VDC  
 Weight: 0,6 kg  
 Colour: Black

**Benennung: Compact-e-3-ERG-EU**  
 Input: 230 VAC/ 50-60 Hz/ 5A  
 Output: 360VA/24VDC  
 Gewicht: 0,6 kg  
 Farbe: Schwarz

<b>Ergonomix AB</b>	Ritn. storlek/ Dwg. size	A3	Skala/Scale	1:1	E	Material	
	Ritad av/Datum Drawn by/Date	JÖS130404	Godkänd av/Datum Approved by/Date			Benämning/ Description	MDC-unit Motor drive Compact 3
	Ersätter/Replaces		Ersatt av/Replaced by		Ritn. nr./Dwg. no.	11724	Index